

Hot Spot Series

Residential All-in-one Heat Pump Water Heater



High Energy Efficiency



LED Touch Screen



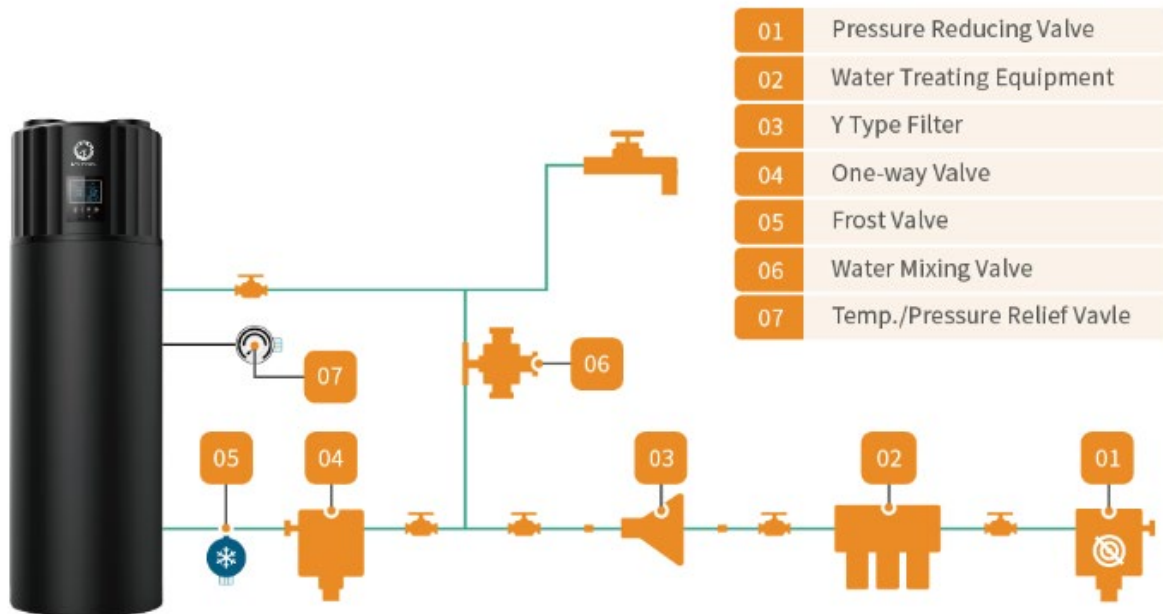
High Temperature



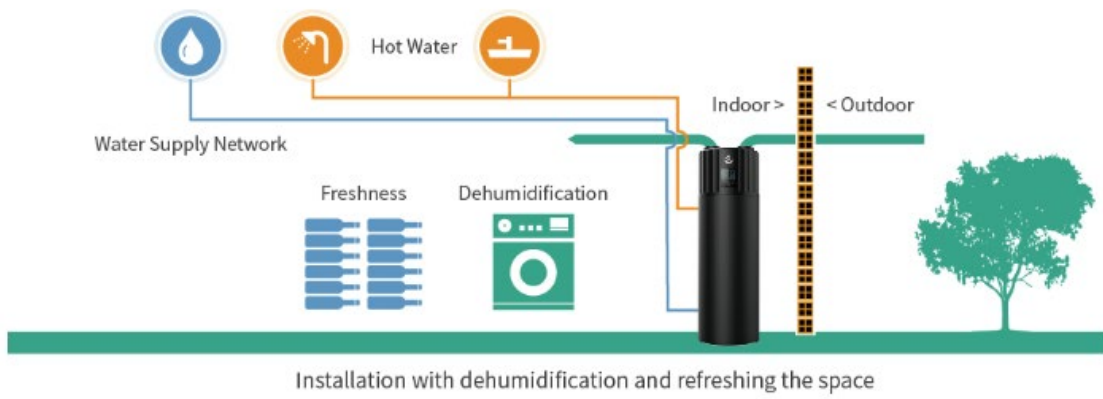
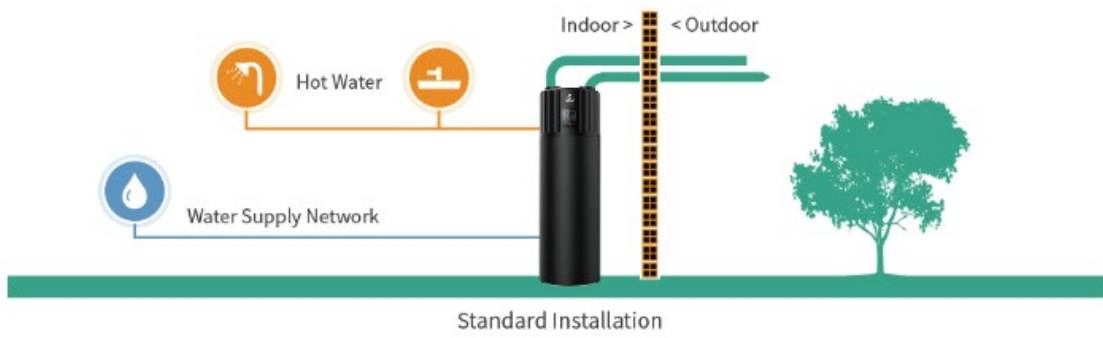
Anti-corrosion Water Tank



● Installation Diagram



• Installation Sketch Map



PARAMETERS

Model: NE-F	25HWR2-150E-UPC	25HWR2-200E-UPC	25HWR2-250E-UPC	25HWR2-300E-UPC
Test Condition: Ambient Temperature: (DB/WB) 20°C / 15°C; Water Temperature from 15°C to 70°C				
Rated Heating Capacity (kW)	1.8	1.8	2.42	2.42
Consumed Power (kW)	0.47	0.47	0.62	0.62
COP	3.83	3.83	3.88	3.88
Hot Water Volume (L/h)	39	39	52	52
Operation Range (°C)	-7 ~ 45			
Max. Outlet Water Temperature (°C)	70			
Max. Power Input (kW)	2.69	2.69	2.89	2.89
Max. Running Current (A)	12.20	12.20	13.40	13.40
Power Supply (V/Ph/Hz)	220-230V~50Hz			
Wi-Fi Function	Yes			
Electric Heating(kW)	2			
Water Connection	G1/2"(female)		G3/4"(female)	
Noise Level at 1m dB(A)	≤52		≤53	
Gas Control	EEV			
Refrigerant Type	R134a			
Water Tank Type	Enamel			
Water Tank Volume (L)	150	200	250	300
Water Proof Level	IPX4			
Net Dimensions(L/W/H) (mm)	φ570×1521	φ570×1803	φ640×1802	φ640×2020